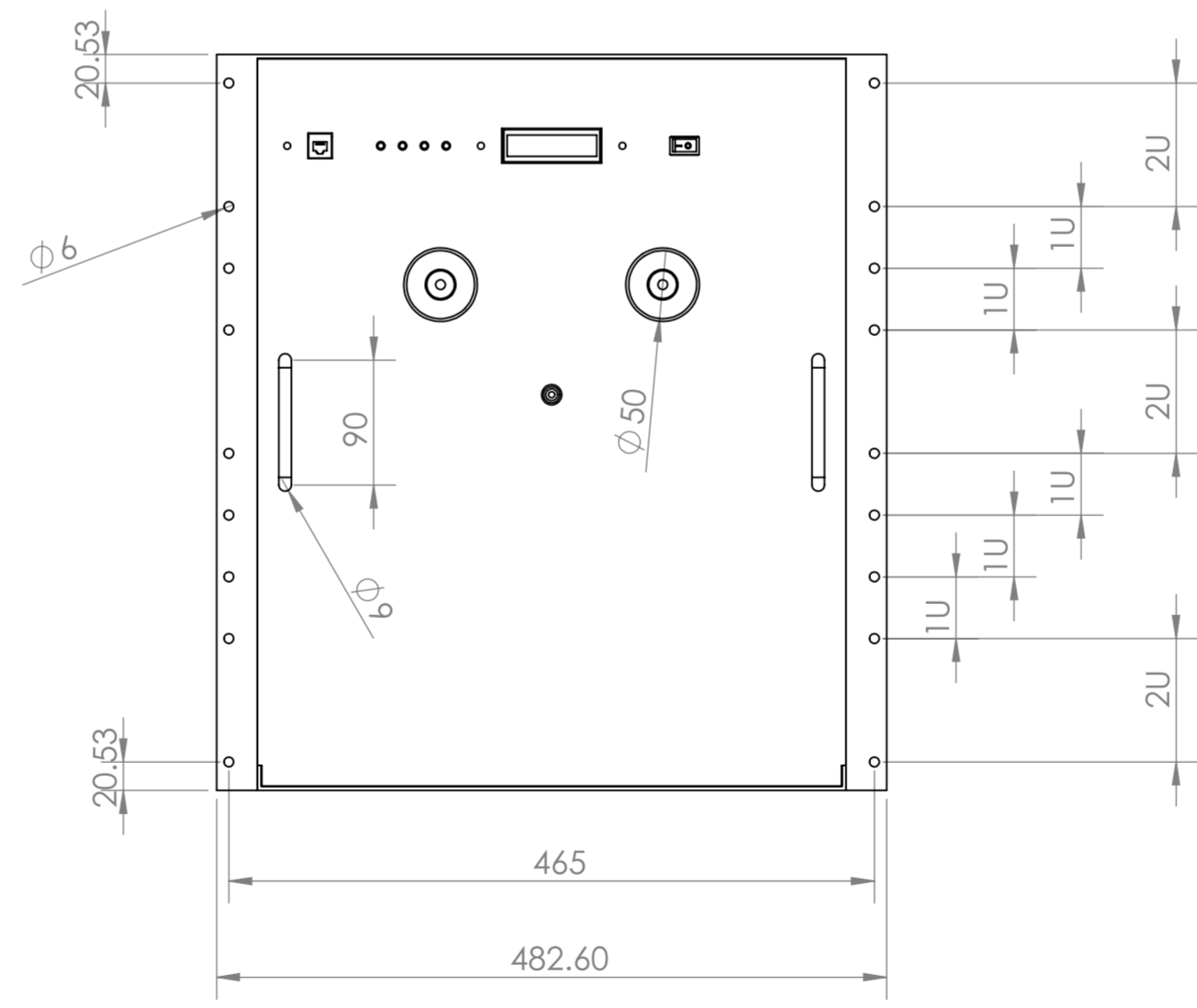
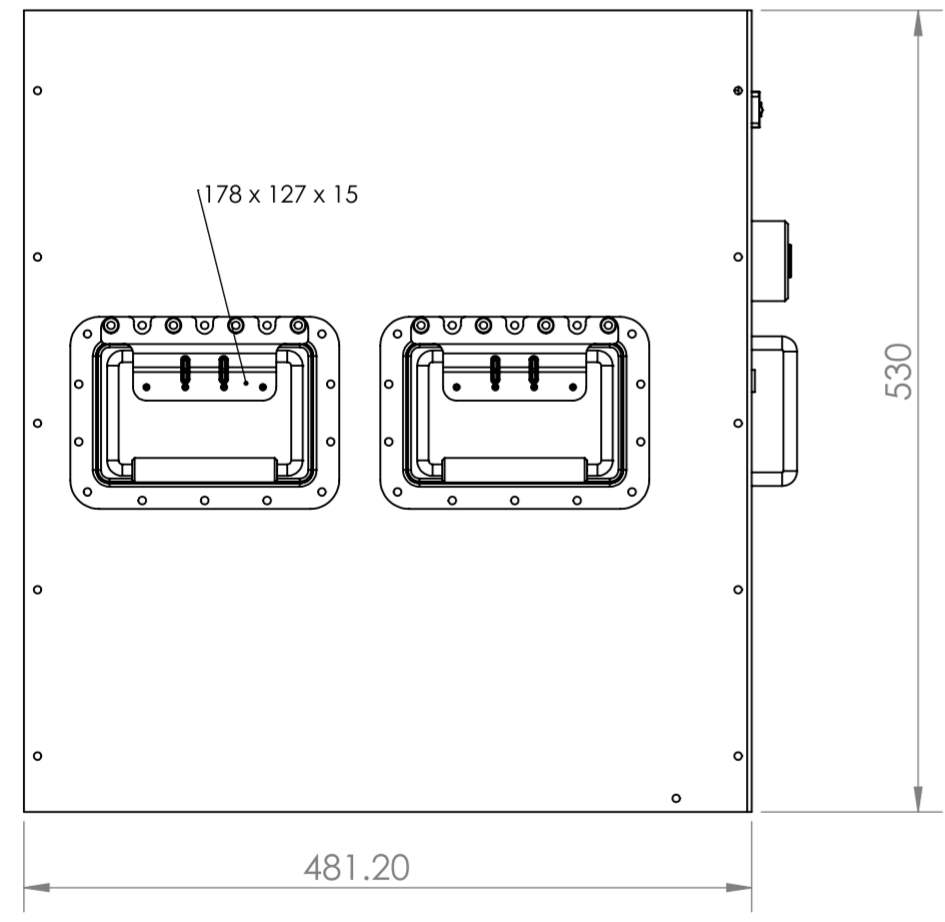
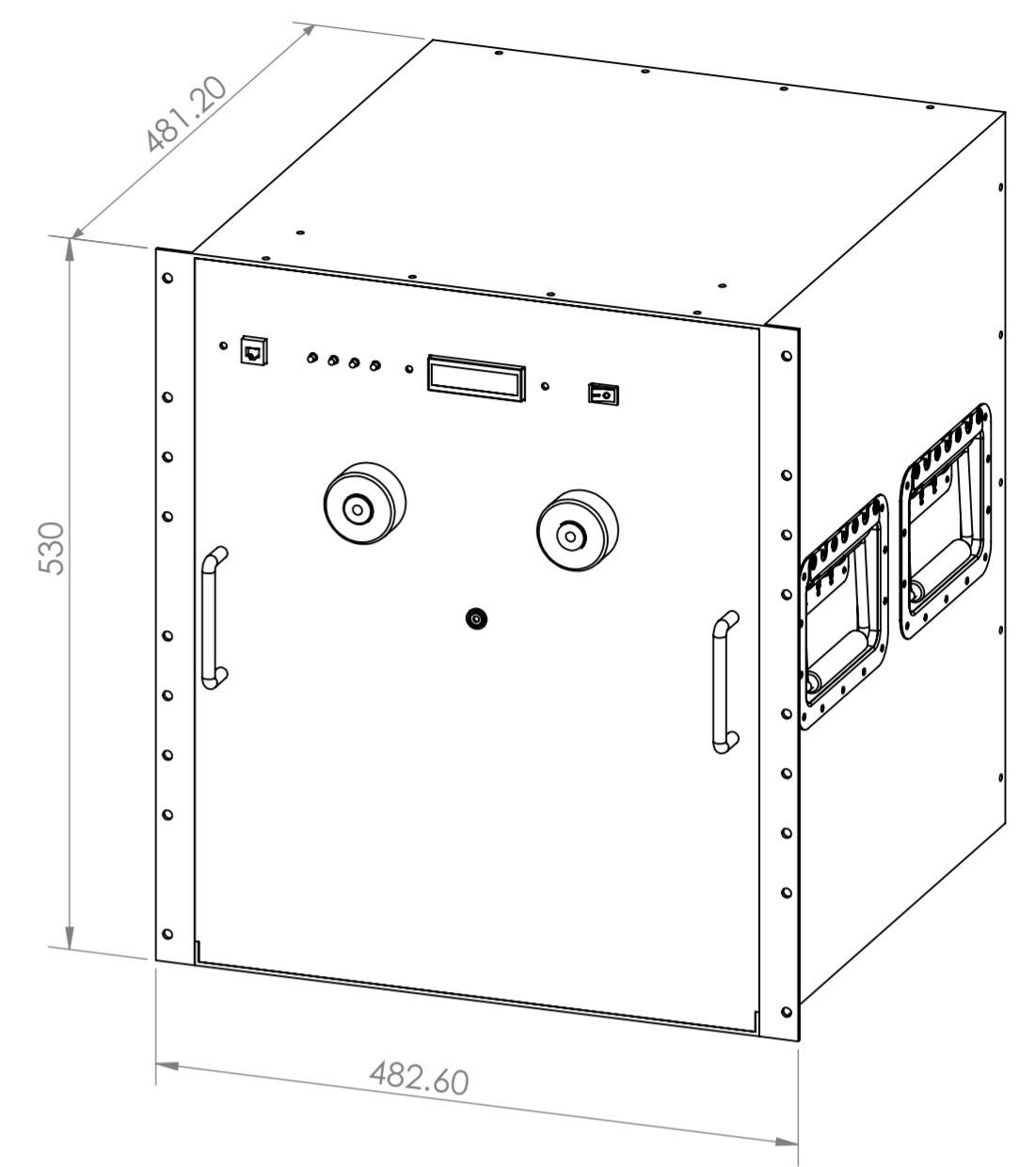
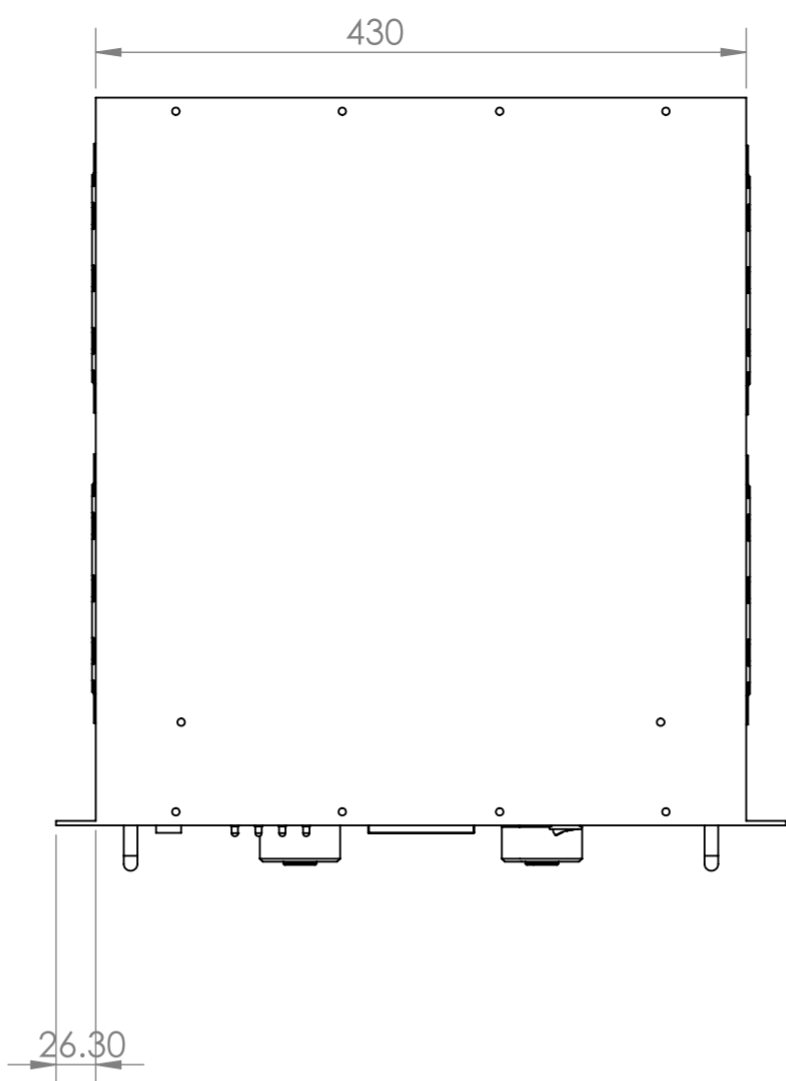


12 11 10 9 8 7 6 5 4 3 2 1

H
G
F
E
D
C
B
A

H
G
F
E
D
C
B
A



UNLESS OTHERWISE SPECIFIED: DIMENSIONS ARE IN MILLIMETERS		FINISH: 12/04/2018		DEBURR AND BREAK SHARP EDGES		DO NOT SCALE DRAWING		REVISION	
SURFACE FINISH:									
TOLERANCES:									
LINEAR:									
ANGULAR:									
NAME	SIGNATURE	DATE				19" Design Kilowatt Labs, Inc. Sirius SuperCapacitor Module			
DRAWN									
CHK'D									
APPV'D									
MFG									
Q.A									
						7100-48-B-2C-M-SD-G		A2	
						Estimated weight: 127 kg		SCALE: 1:5	
								SHEET 1 OF 1	

12 11 10 9 8 7 6 5 4 3 2 1